

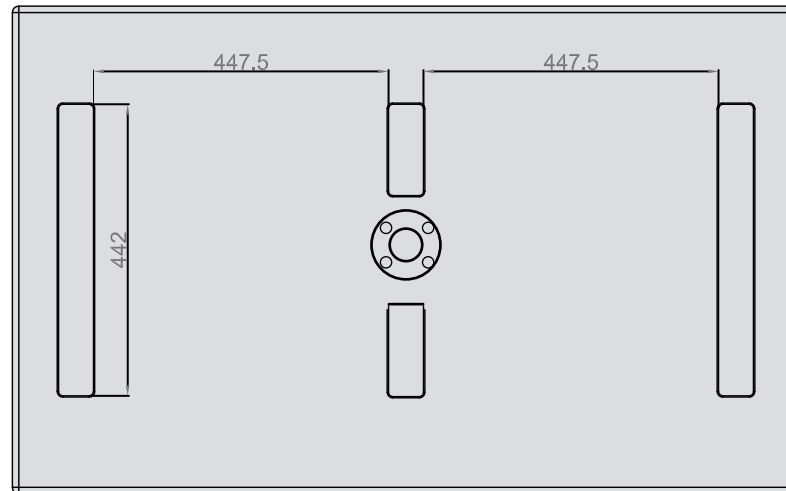
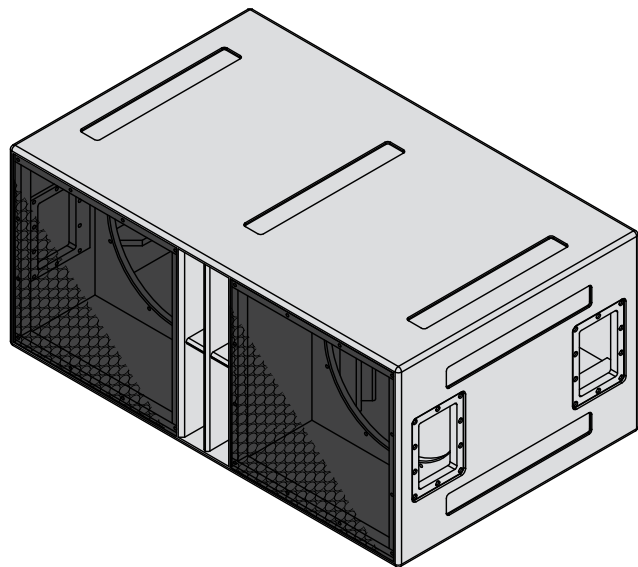
1

2

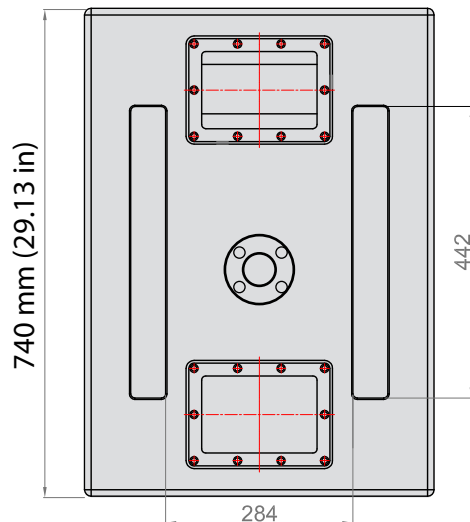
3

4

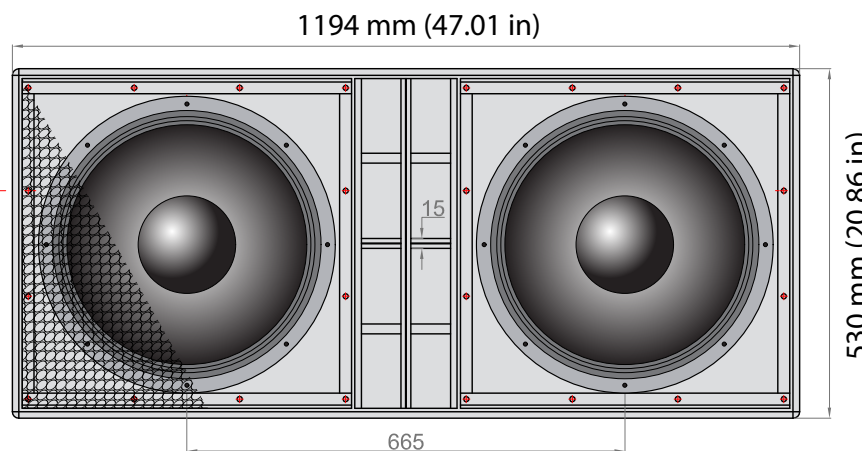
REV	CHANGE NUMBER	DATE
B		7/5/2015



TOP



SIDE



FRONT

NOTES:

UNLESS OTHERWISE SPECIFIED:  
ALL DIMENSIONS ARE IN INCHES  
DUAL [MM] DIMENSIONS  
FOR REF ONLY

TOLERANCES  
LINEAR ±  
ANGLES ±

**VUE** audiotechnik  
WWW.VUEAUDIO.COM

TITLE:  
**as-418**  
**[MECHANICAL SPECIFICATION]**

**A** SHEET 1 OF 1 SCALE: 1 TO 14

DRAWING NUMBER: REVISION: **B**

1

2

3

4