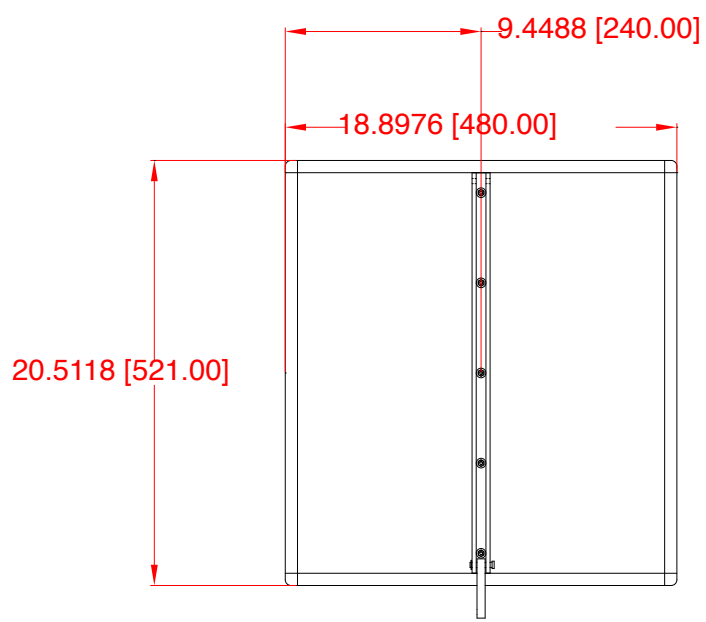
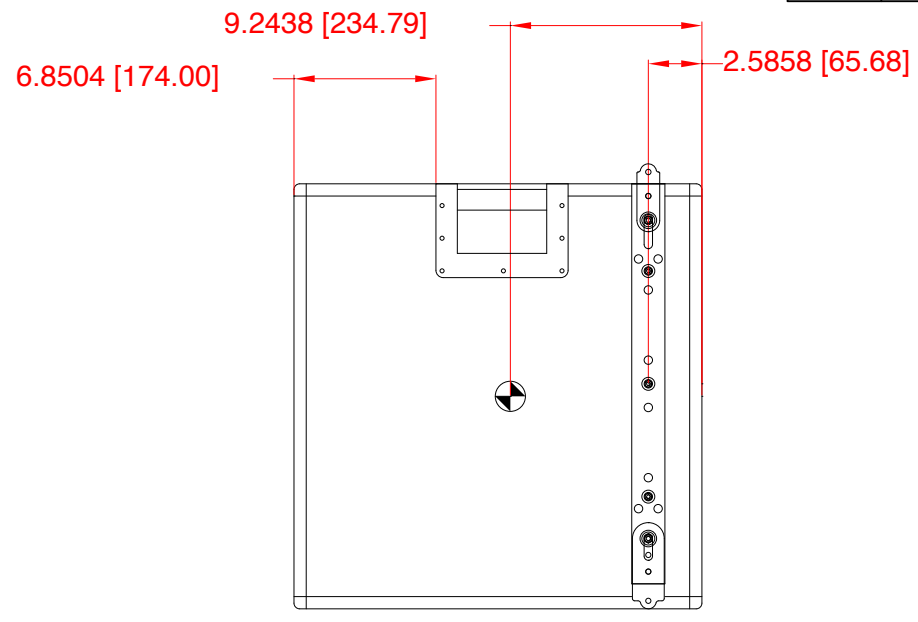


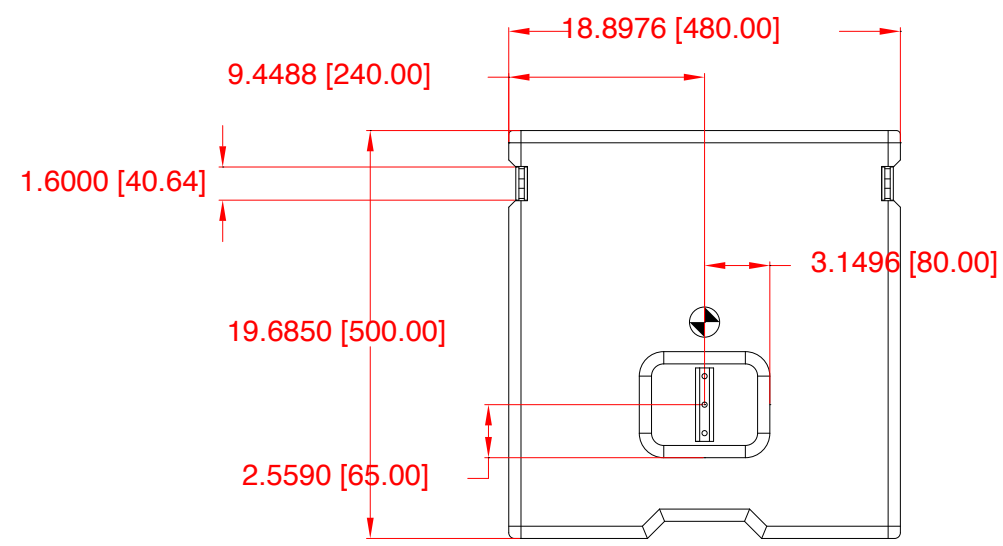
REV	CHANGE NUMBER	DATE
A		



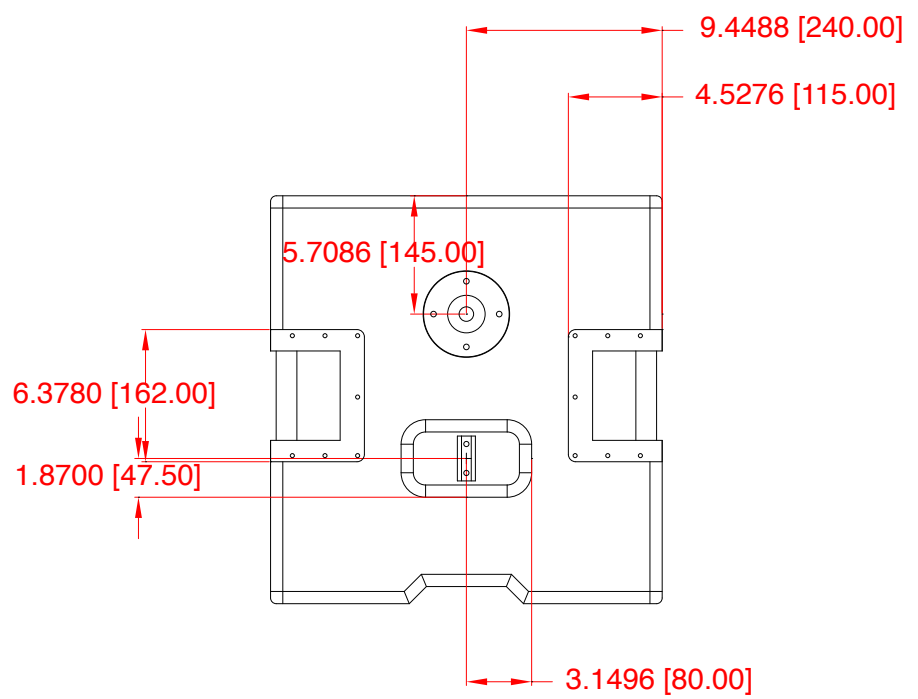
Back



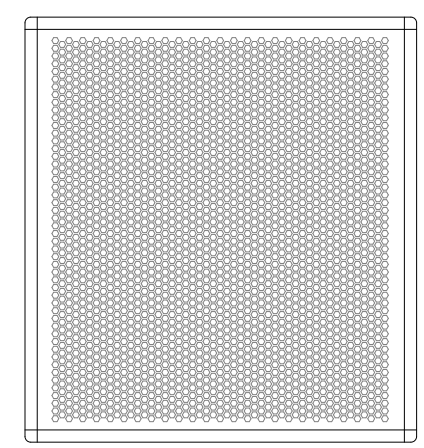
Side



Bottom



Top



Front

NOTES:

UNLESS OTHERWISE SPECIFIED:
ALL DIMENSIONS ARE IN INCHES
DUAL [MM] DIMENSIONS
FOR REF ONLY

TOLERANCES
LINEAR \pm
ANGLES \pm

VUE
audiotechnik WWW.VUEAUDIO.COM

TITLE:
al-4-SB
[MECHANICAL SPECIFICATION]

A SHEET 1 OF 1 SCALE: 1 TO 14

DRAWING NUMBER: REVISION: **A**