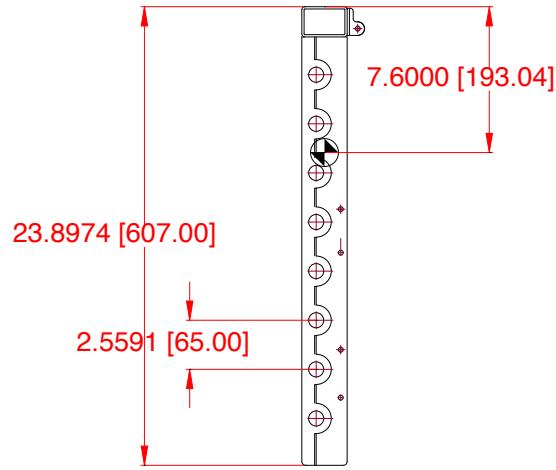
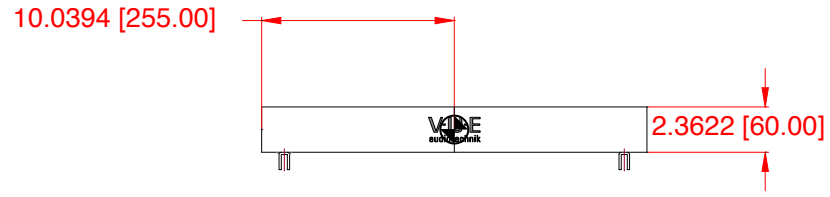


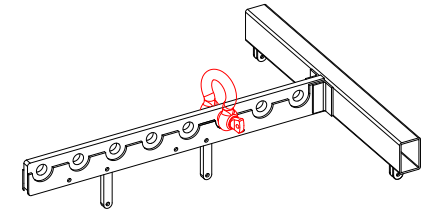
REV	CHANGE NUMBER	DATE
B		



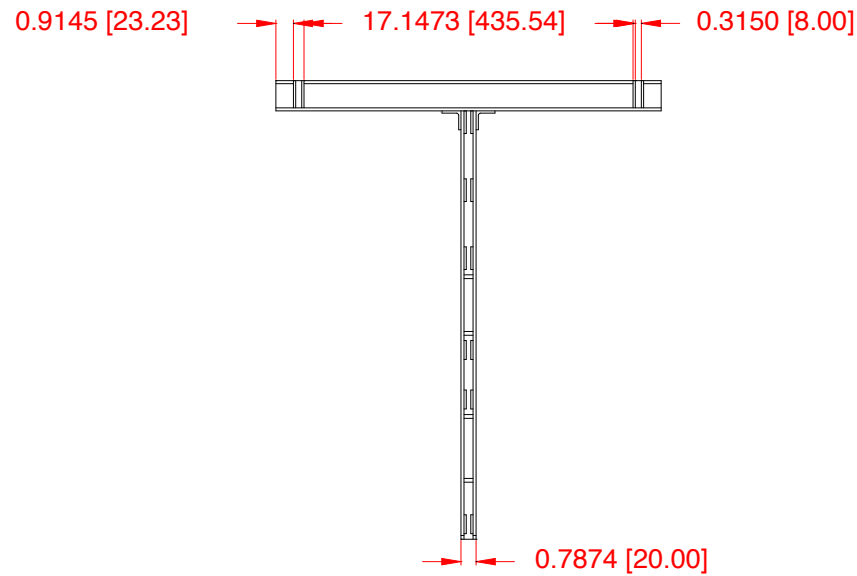
SIDE



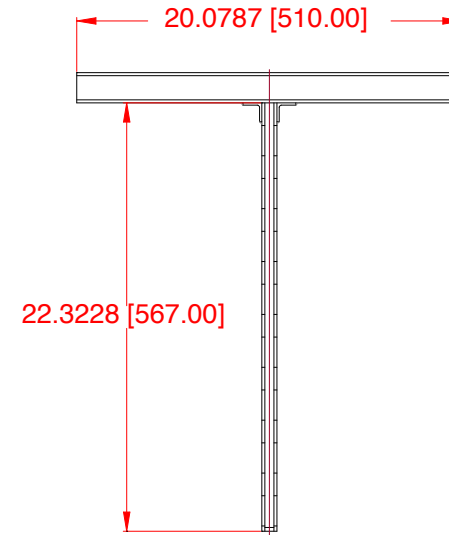
FRONT



al-4fbl



BOTTOM



TOP

NOTES:

UNLESS OTHERWISE SPECIFIED:  
ALL DIMENSIONS ARE IN INCHES  
DUAL [MM] DIMENSIONS  
FOR REF ONLY

TOLERANCES  
LINEAR a  
ANGLES a

**VUE**  
audiotechnik WWW.VUEAUDIO.COM

TITLE:  
**al-4-FBL (REV B 65mm)**  
**[MECHANICAL SPECIFICATION]**

A SHEET 1 OF 1 SCALE: 1 TO 14

DRAWING NUMBER: REVISION: B