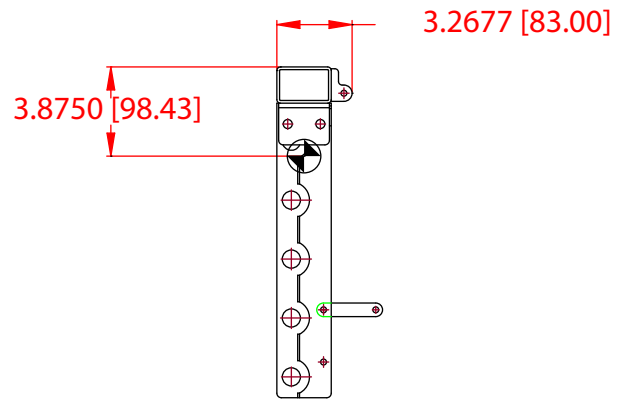
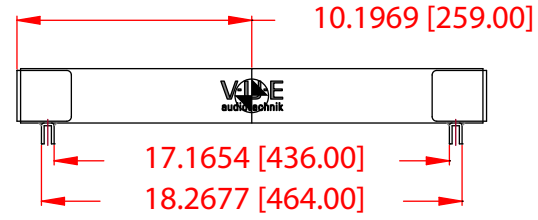


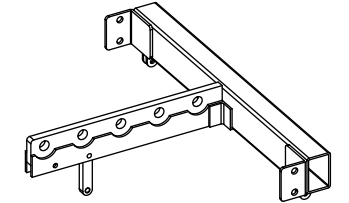
REV	CHANGE NUMBER	DATE
A		



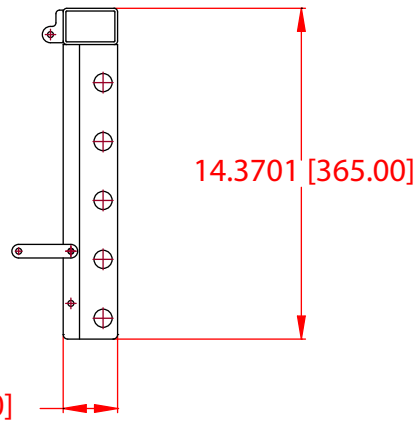
SIDE



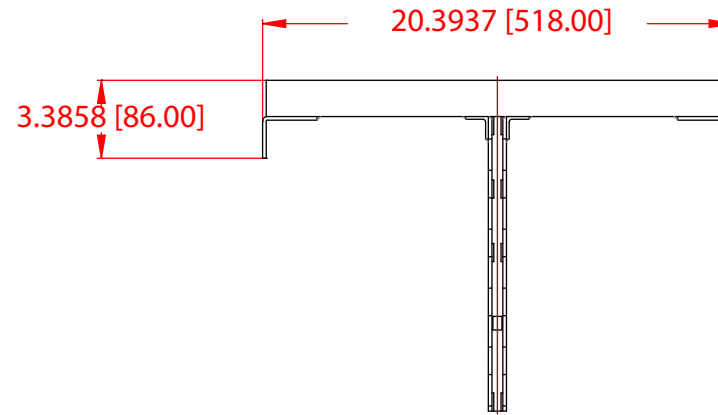
FRONT



al-4fb



SIDE



TOP

NOTES:

UNLESS OTHERWISE SPECIFIED:
ALL DIMENSIONS ARE IN INCHES
DUAL [MM] DIMENSIONS
FOR REF ONLY

TOLERANCES
LINEAR ±
ANGLES ±

VUE
audiotechnik WWW.VUEAUDIO.COM

TITLE:
al-4fb
[MECHANICAL SPECIFICATION]

A SHEET 1 OF 1 SCALE: 1 TO 14

DRAWING NUMBER: REVISION: A